

### DESCRIPTION

**PERFORMANCE TO:**

- CAN3-A440
- ASTM E-283-73
- ASTM E-547
- ASTM E-330-70

**FRAME DEPTH:**

115.2mm (4 1/2")

**ALUMINUM:**

6063-T5 alloy and temper

**ANODIZED:**

- Clear anodized
- Champagne anodized
- Light bronze anodized
- Architectural bronze anodized
- Black anodized

**ARCHITECTURAL COATING:**

P.P.G. duracron, duranar and duranar XL paint

**GLASS STOPS:**

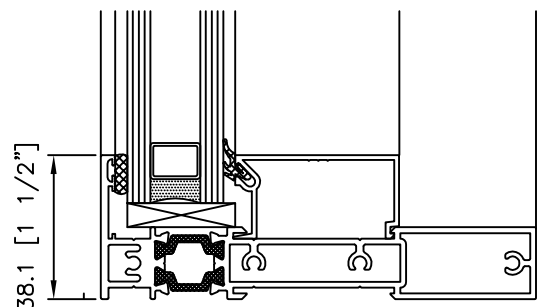
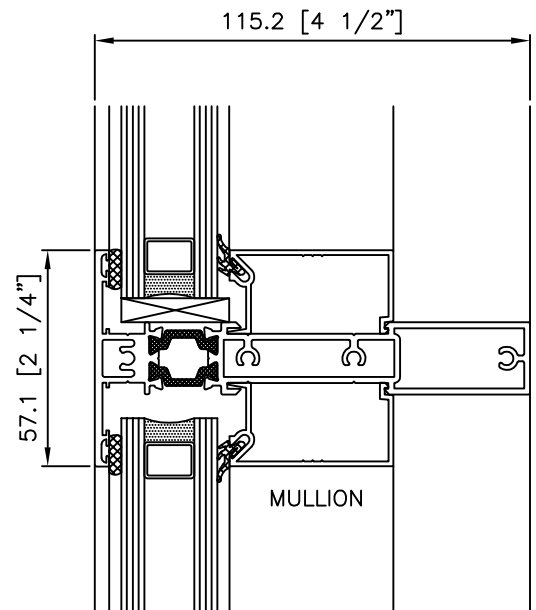
Square snap on type, glazed from the interior.

**GLAZING:**

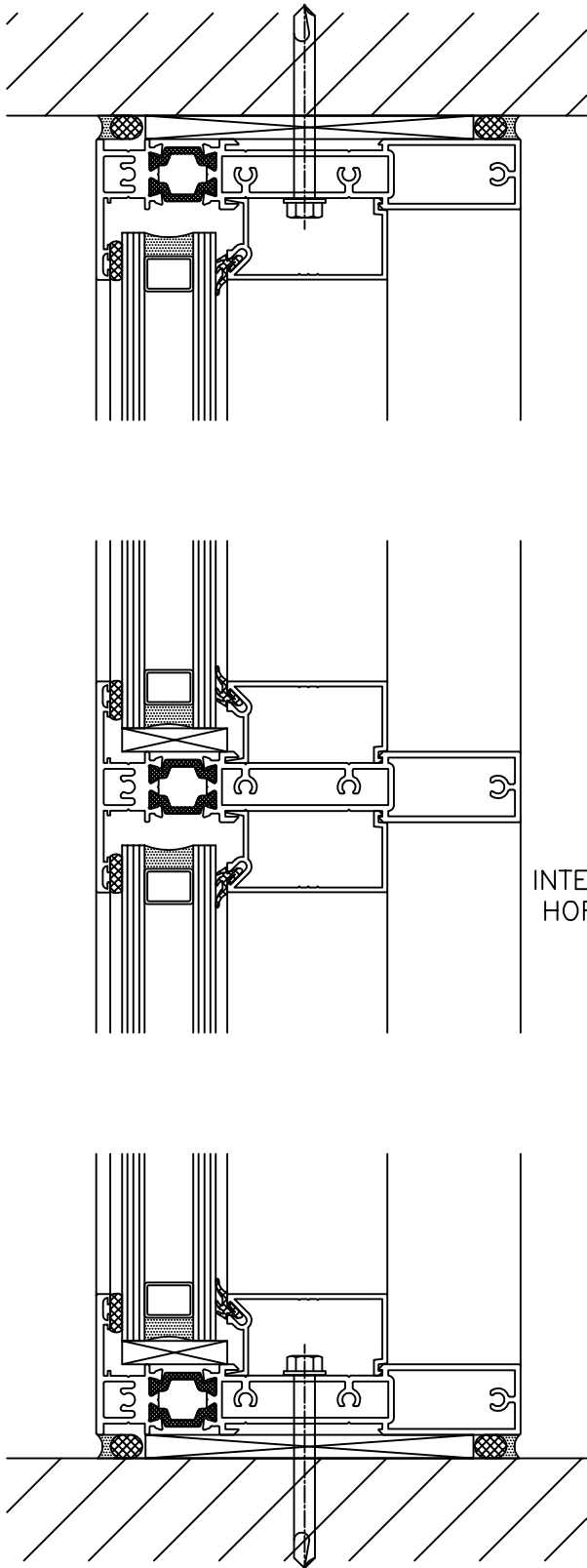
Dry glazing retained by snap on glass stops at interior and glazing tape at the exterior.  
25.4mm (1") overall sealed unit: 3.2mm (1/8") Polyshim tape @ exterior. Part V-1002 glazing spline @ interior.

**CONSTRUCTION:**

Fabricated from two aluminum extrusions assembled with a rigid vinyl thermal break, rolled and pressed to form an integral unit. Corners precisely cut and assembled to obtain strong, sealed hairline joints.



PERIMETER



1

HEAD

FIXED

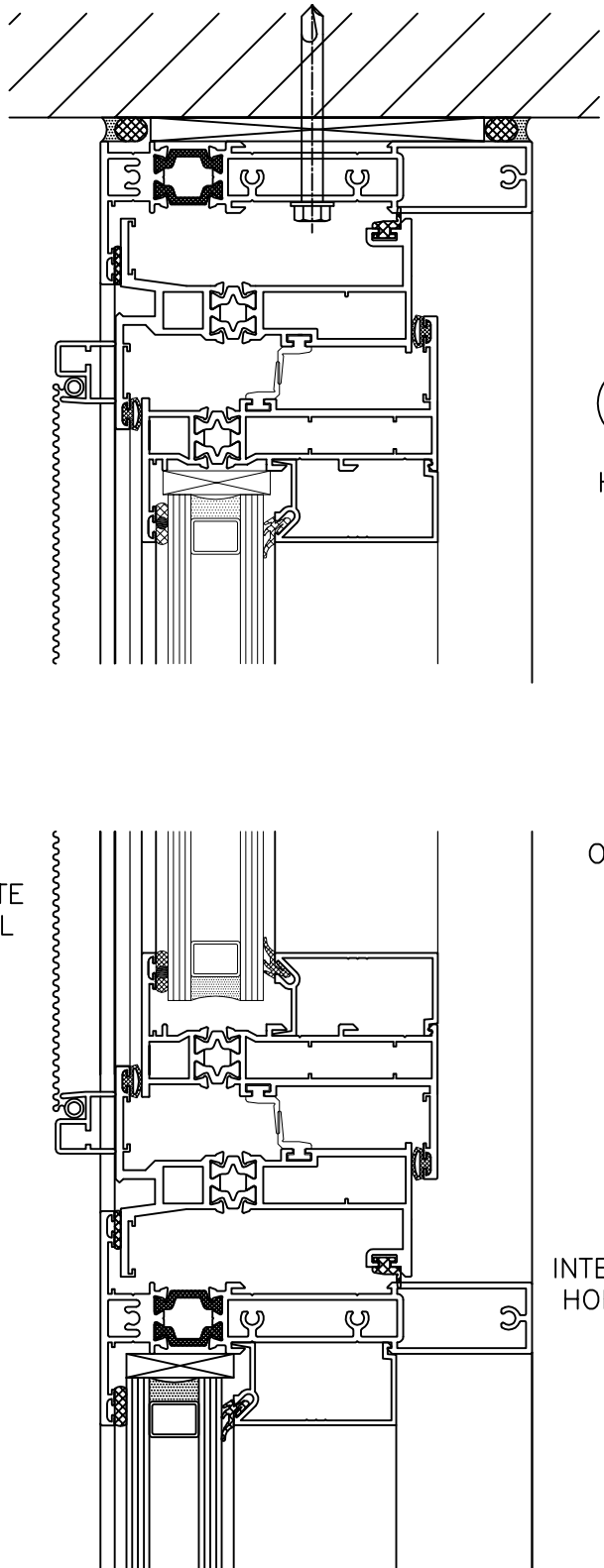
2

INTERMEDIATE  
HORIZONTAL

FIXED

3

SILL



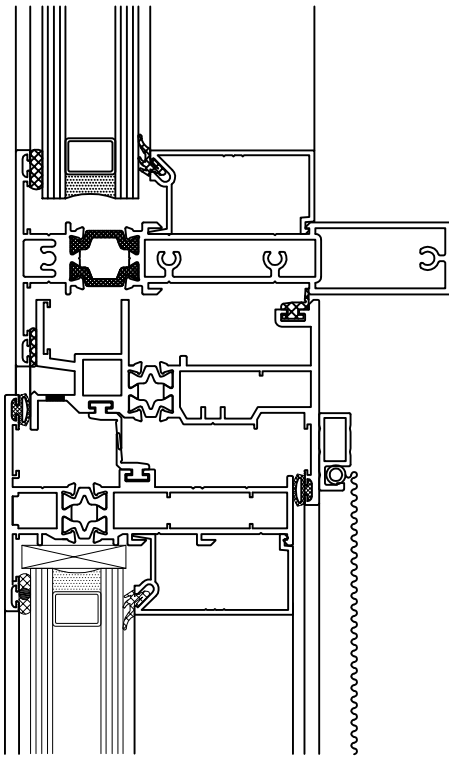
4

HEAD

OPEN IN  
VENT

5

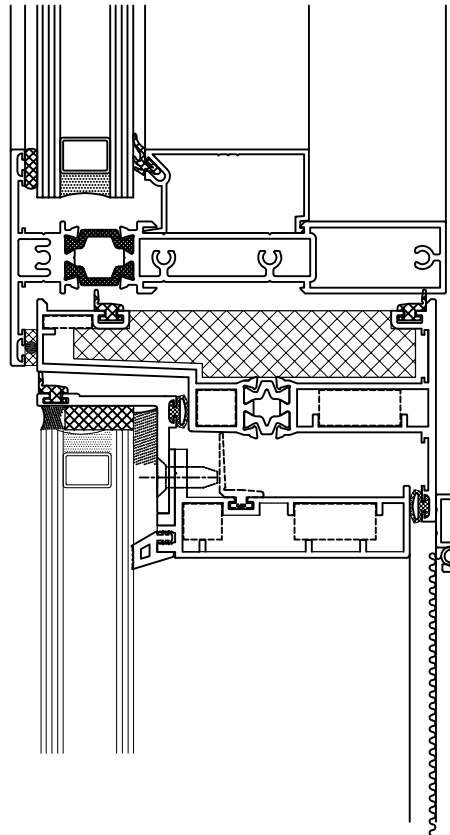
INTERMEDIATE  
HORIZONTAL



6

HORIZONTAL  
INTERMEDIATE

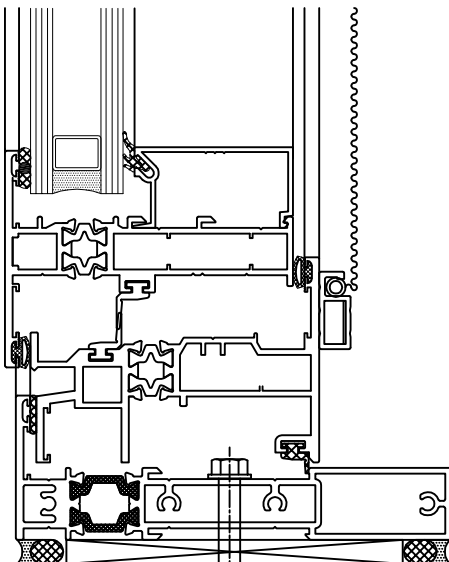
OPEN OUT  
VENT



8

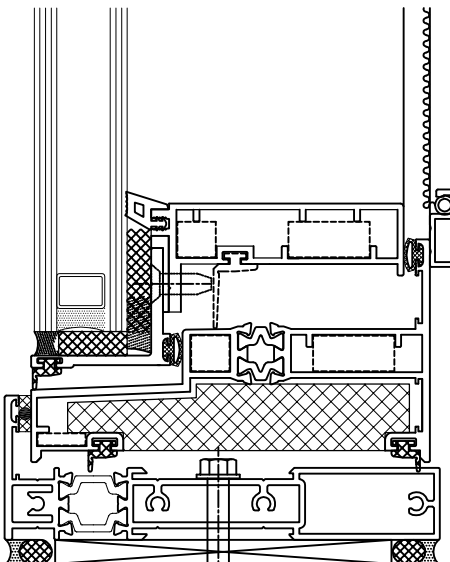
HORIZONTAL  
INTERMEDIATE

OPEN OUT  
SSG VENT



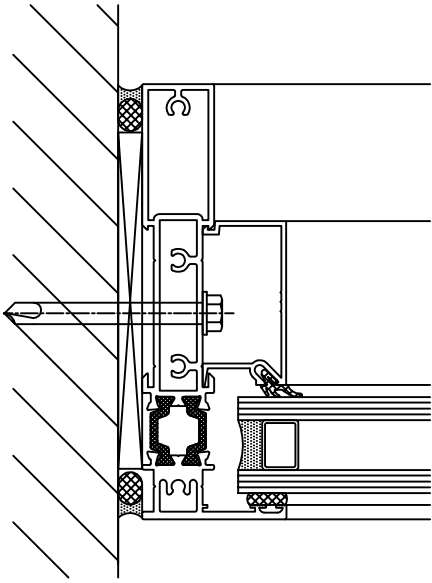
7

SILL



9

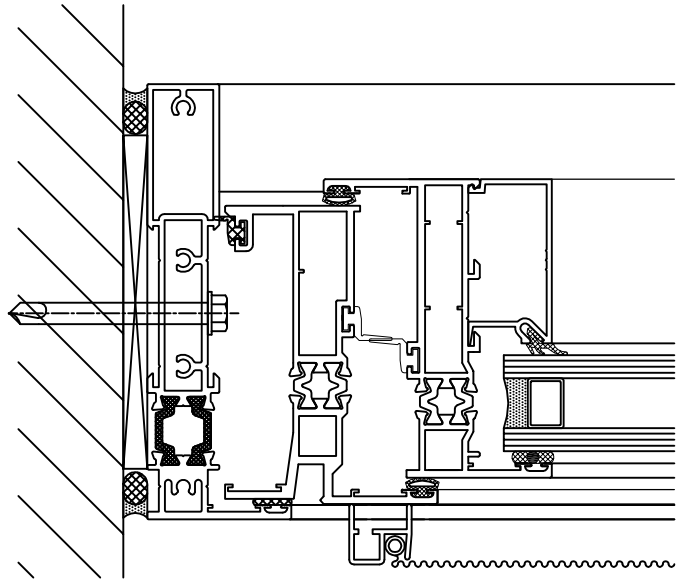
SILL



10

FIXED

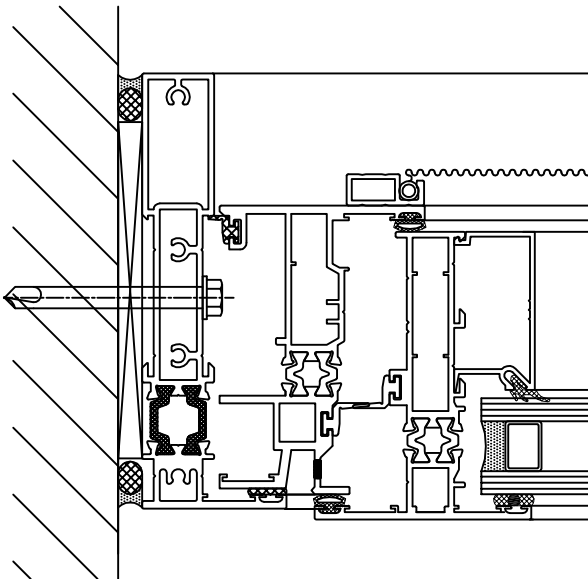
JAMB



11

OPEN IN  
VENT

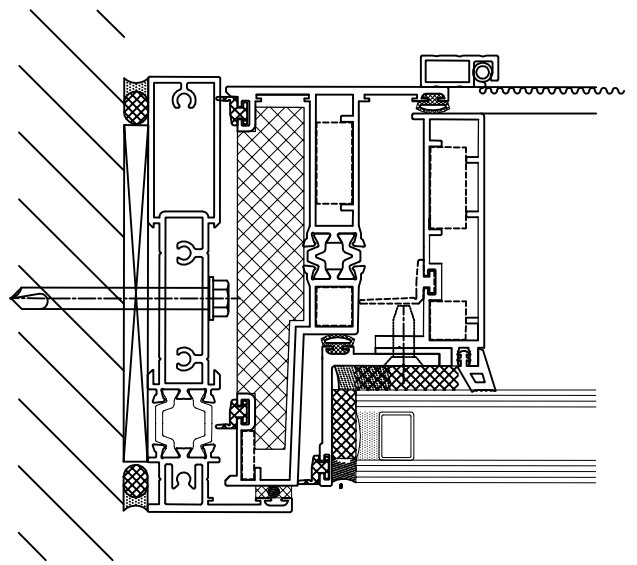
JAMB



12

OPEN OUT  
VENT

JAMB



13

OPEN OUT  
SSG VENT

JAMB