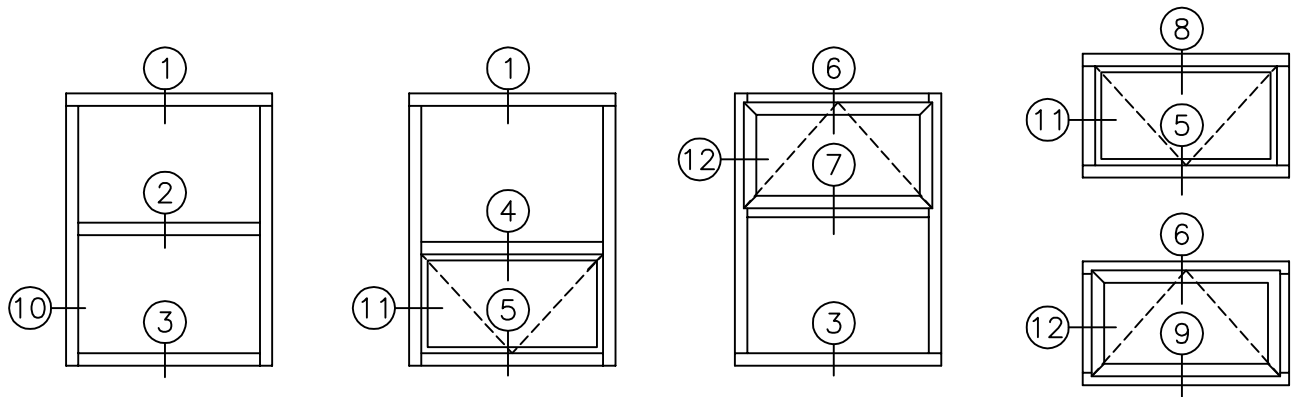




FIXED AND PROJECTED
HEAVY DUTY
INSULATED WINDOW

SERIES 80
76mm (3") DEEP



DESCRIPTION

PERFORMANCE TO:

- CAN3-A440
- ASTM E-283-73
- ASTM E-547
- ASTM E-330-70

FRAME DEPTH:

77.4mm (3")

ALUMINUM:

6063-T5 alloy and temper

ANODIZED:

- Clear anodized
- Champagne anodized
- Light bronze anodized
- Architectural bronze anodized
- Black anodized

ARCHITECTURAL COATING:

P.P.G. duracron, duranar and duranar XL paint

GLASS STOPS:

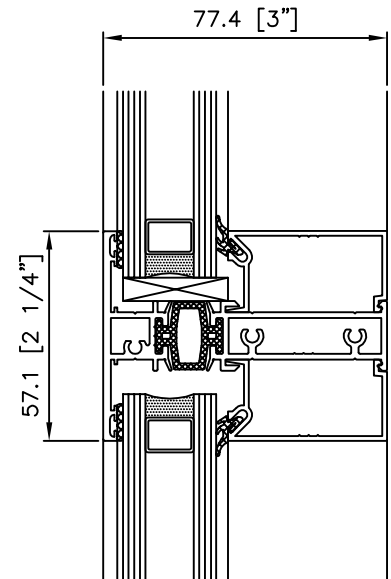
Square snap on type, glazed from the interior.

GLAZING:

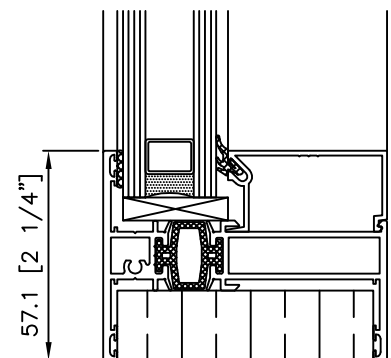
Dry glazing retained by snap on glass stops at interior and glazing tape at the exterior.
25.4mm (1") overall sealed unit: 3.2mm (1/8") Polyshim tape @ exterior. Part V-1002 glazing spline @ interior.

CONSTRUCTION:

Fabricated from two aluminum extrusions assembled with a rigid vinyl thermal break, rolled and pressed to form an integral unit. Corners precisely cut and assembled to obtain strong, sealed hairline joints.



MULLION

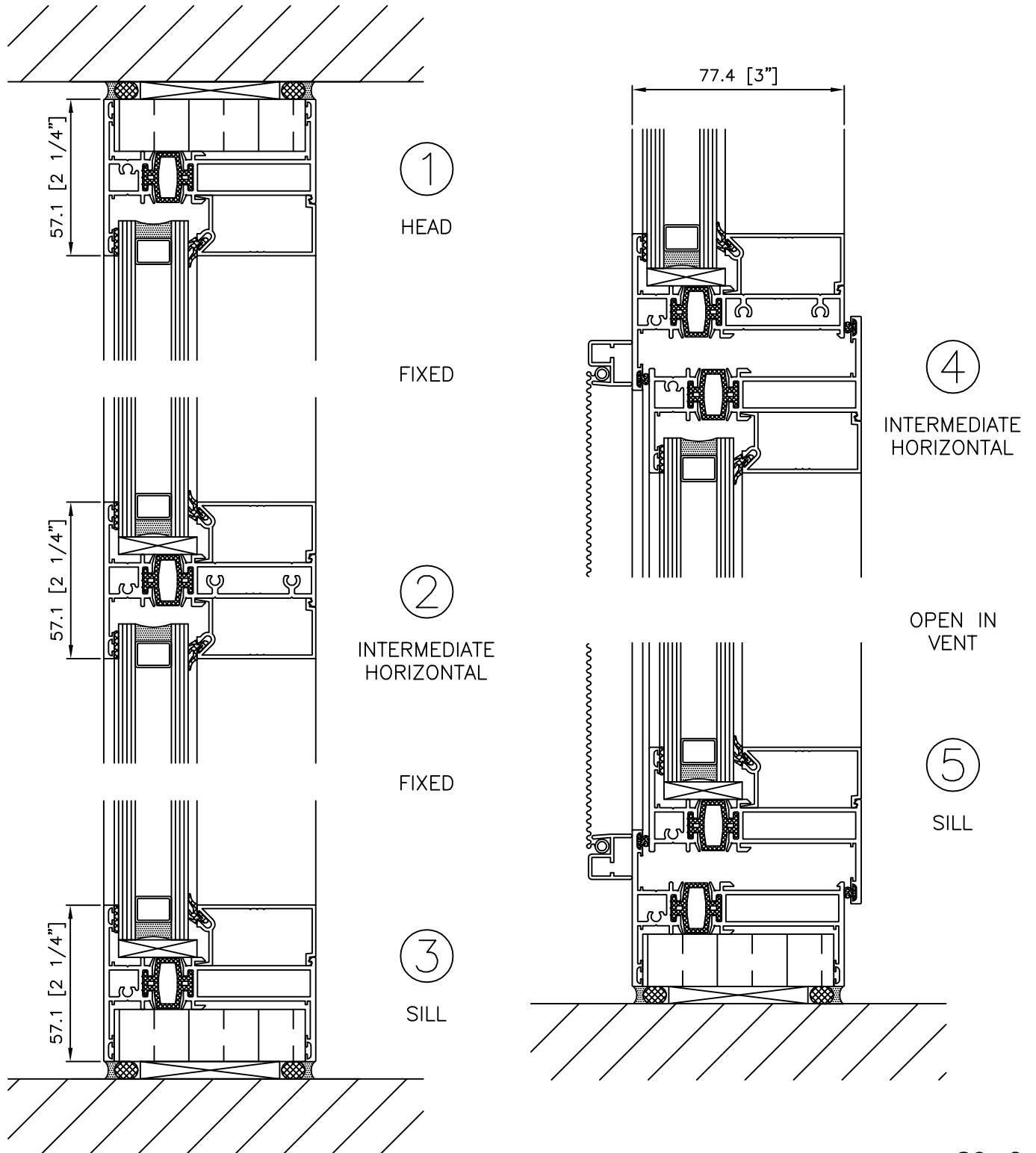


PERIMETER



FIXED AND PROJECTED
HEAVY DUTY
INSULATED WINDOW

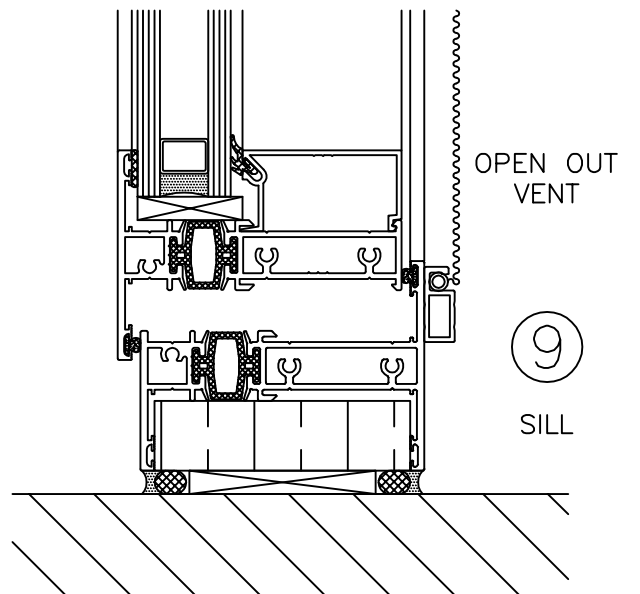
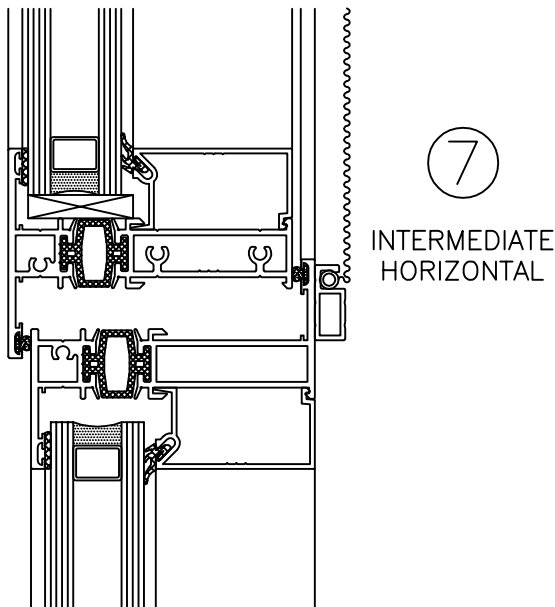
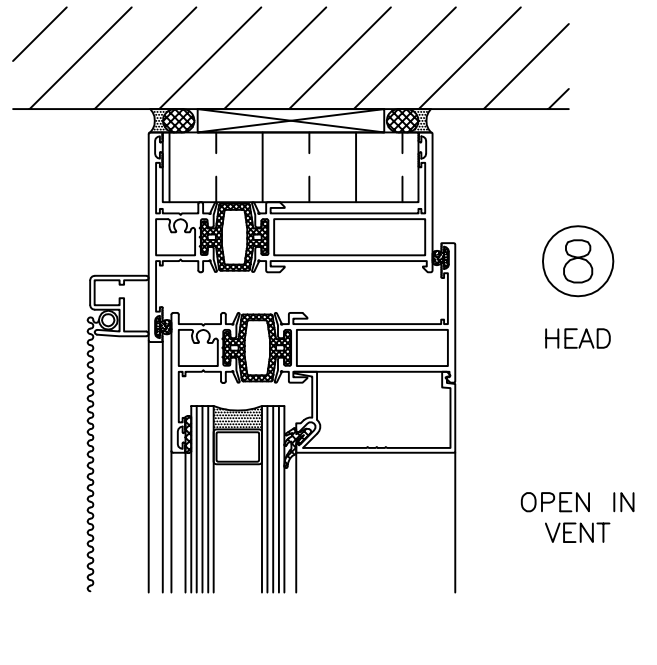
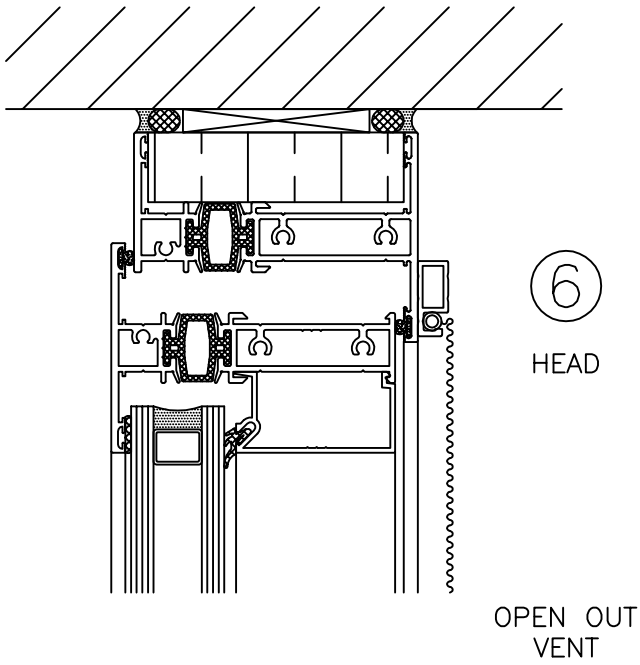
SERIES 80
76mm (3") DEEP





FIXED AND PROJECTED
HEAVY DUTY
INSULATED WINDOW

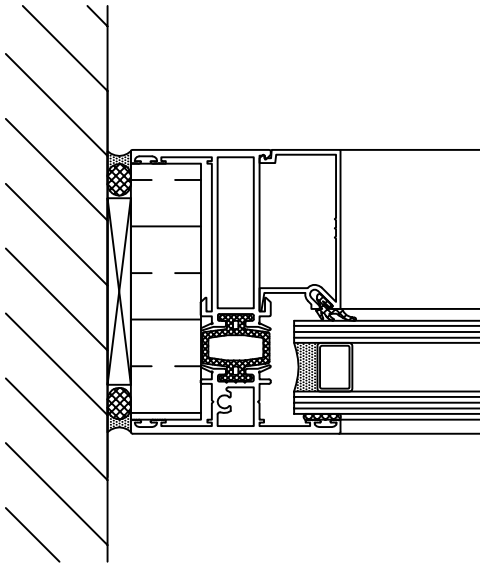
SERIES 80
76mm (3") DEEP



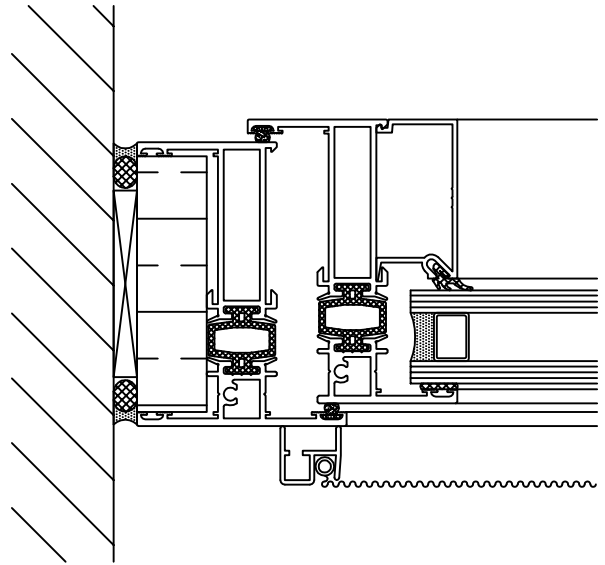


FIXED AND PROJECTED
HEAVY DUTY
INSULATED WINDOW

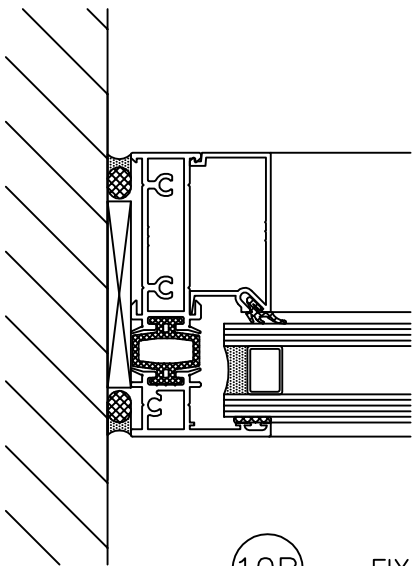
SERIES 80
76mm (3") DEEP



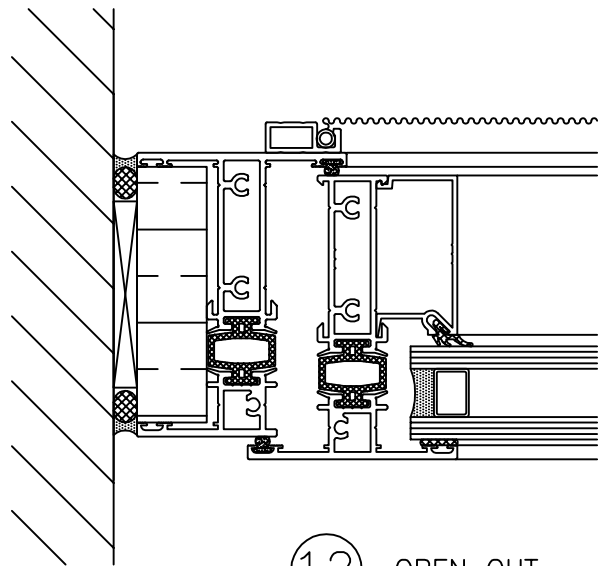
10 FIXED
JAMB



11 OPEN IN
VENT
JAMB



10B FIXED
ALTERNATE
JAMB



12 OPEN OUT
VENT
JAMB