



SLOPED
GLAZING SYSTEM

SERIES 3600

DESCRIPTION

FRAME DEPTH:

- 34mm (1 3/8")
- 89mm (3 1/2")
- 130mm (5 1/8")

ALUMINUM:

6063-T5 alloy and temper

ANODIZED:

- Clear anodized
- Champagne anodized
- Light bronze anodized
- Medium bronze anodized
- Architectural bronze anodized
- Dark bronze anodized
- Black anodized

ARCHITECTURAL COATING:

P.P.G. duracron, duranar and duranar XL paint

GLASS STOPS:

Square caps, snap on type.

GLAZING:

Glazed from exterior.
Dry glazing exterior and interior.
Double glazed.

DESIGN:

Designed based on the "Rain Screen Principle".

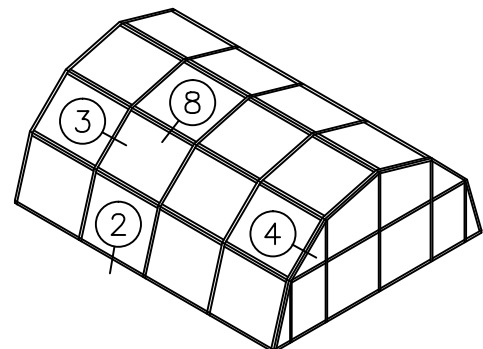
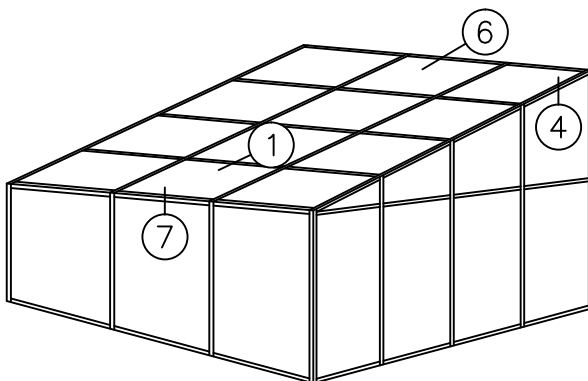
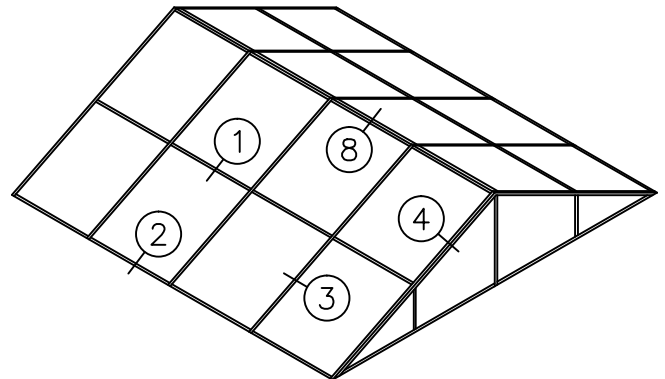
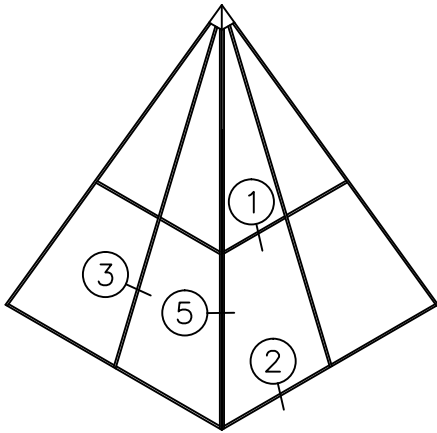
Gaskets, sleeved spigotted joints and seals to ensure no rainwater entry into the cavities of the system.

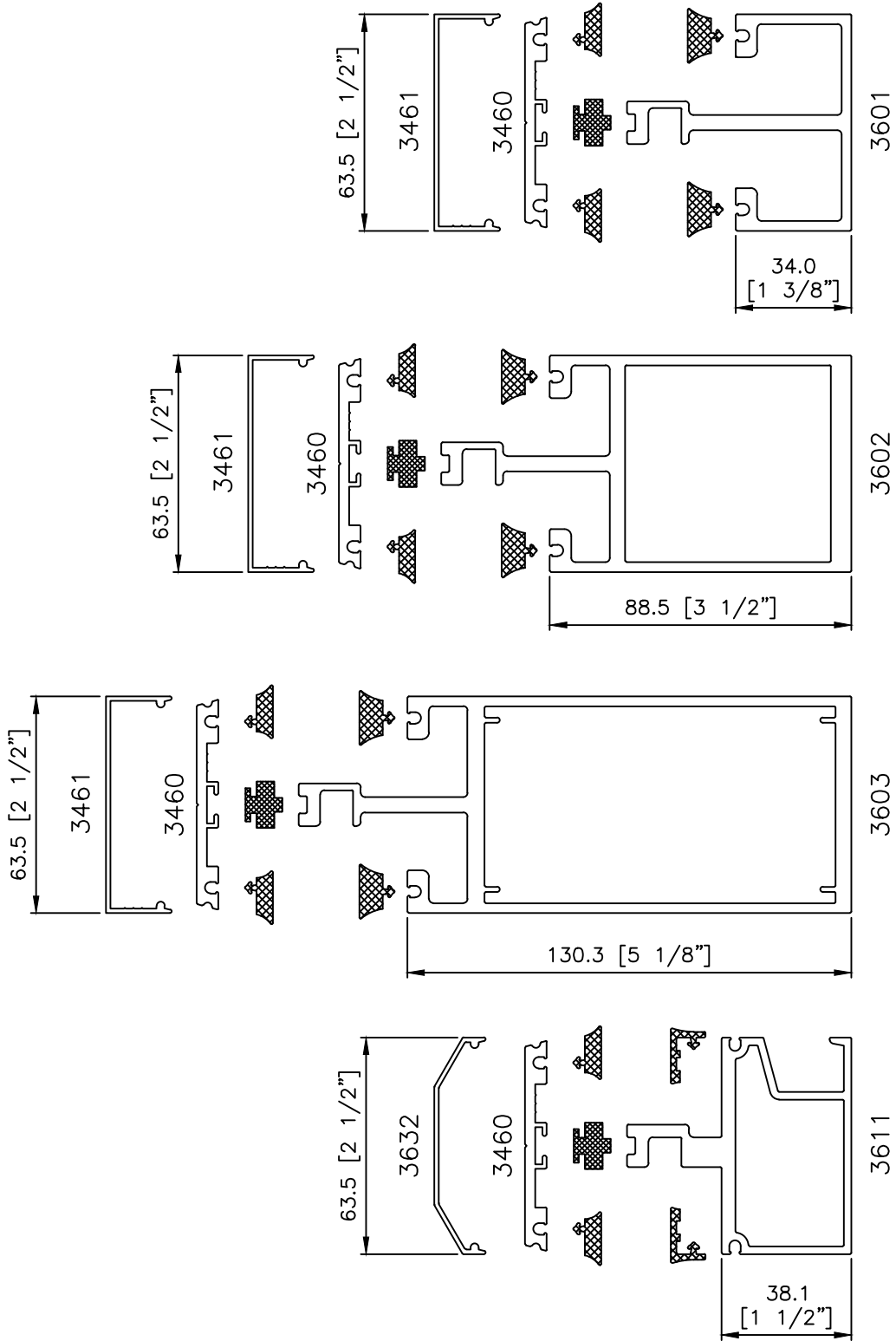
STRUCTURAL REQUIREMENTS:

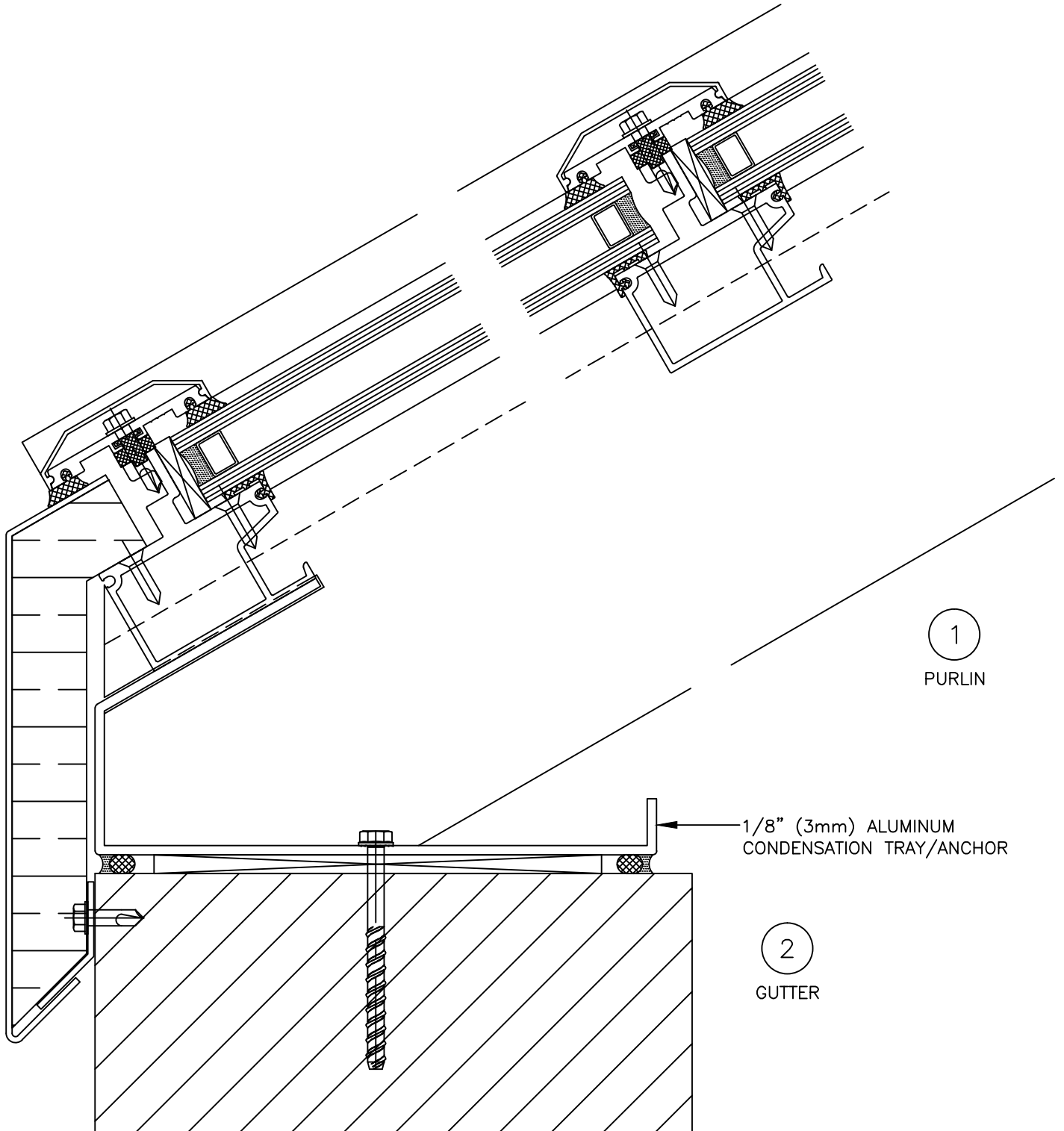
Exterior skin of vertical and sloped wall to a maximum stress of 1,800 kPa (13,000 lbs) and have a maximum deflection of L/175 of the span.

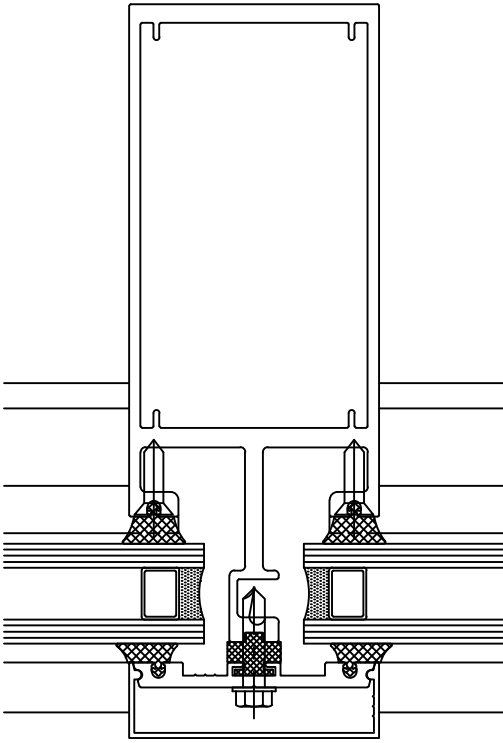
SYSTEM DESCRIPTION:

System has internal drainage channels placed into the exterior pressure zone. Purlins are designed to drain water into the rafter channels. Overlapped joints are sealed, mechanically fixed and able to move under pressure changes. There are no exposed screws at this joint. System is pressure equalized with a continuous air seal. Exterior and interior seal is extruded EPDM keyed into the aluminum sections. Interior seal is cemented at intersections. Exterior seal is held under constant compression. System is designed in the heat sink principle.

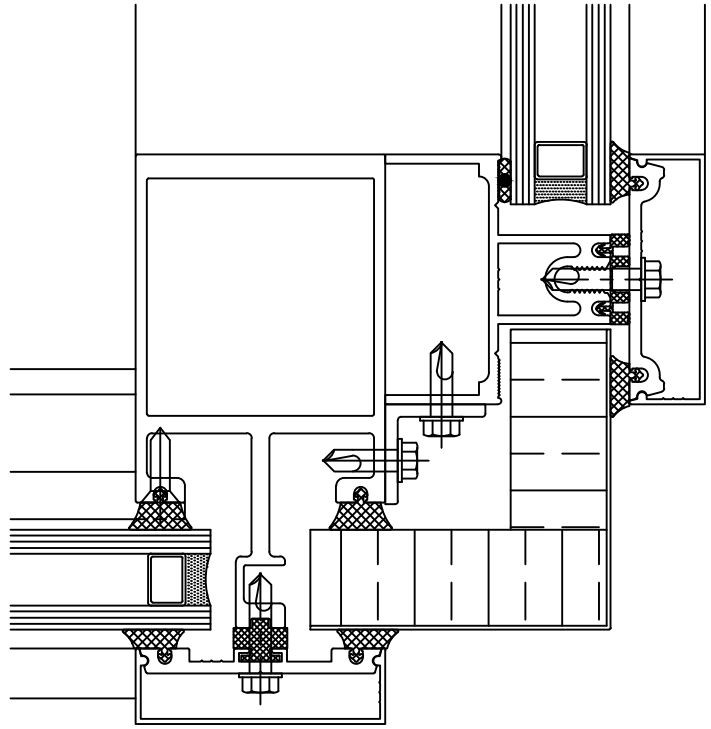




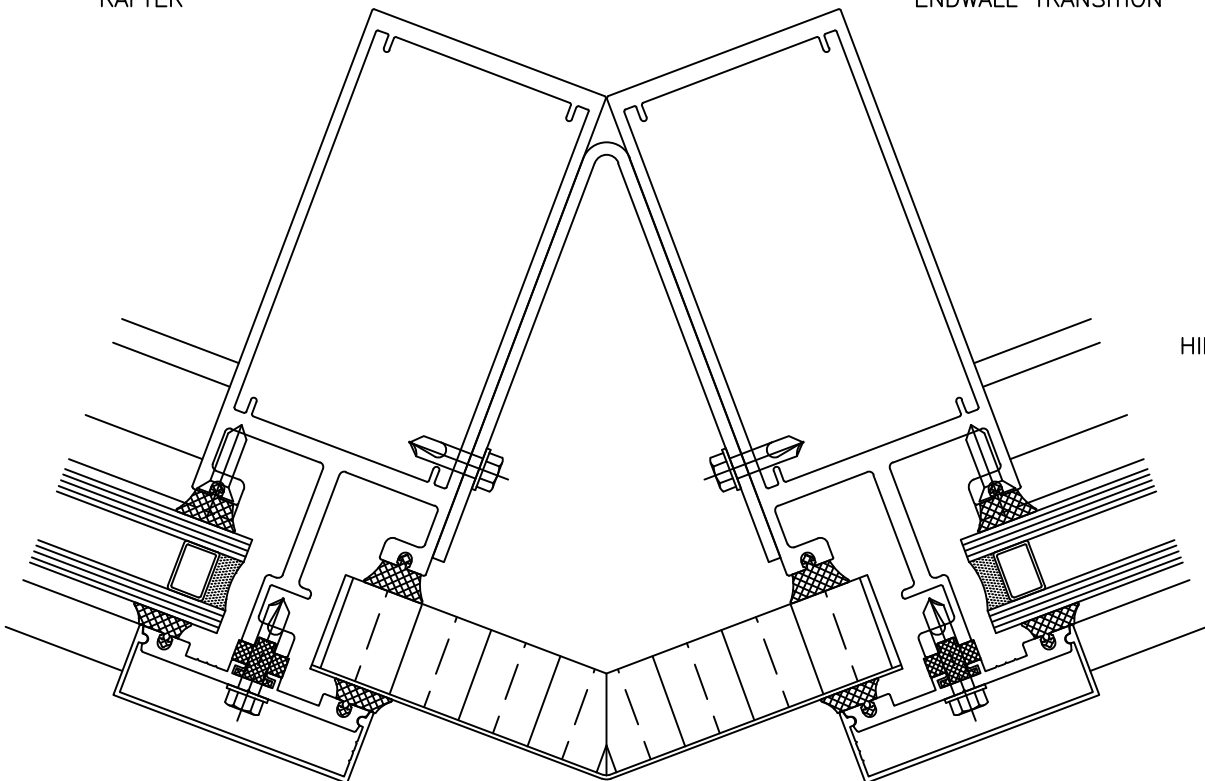




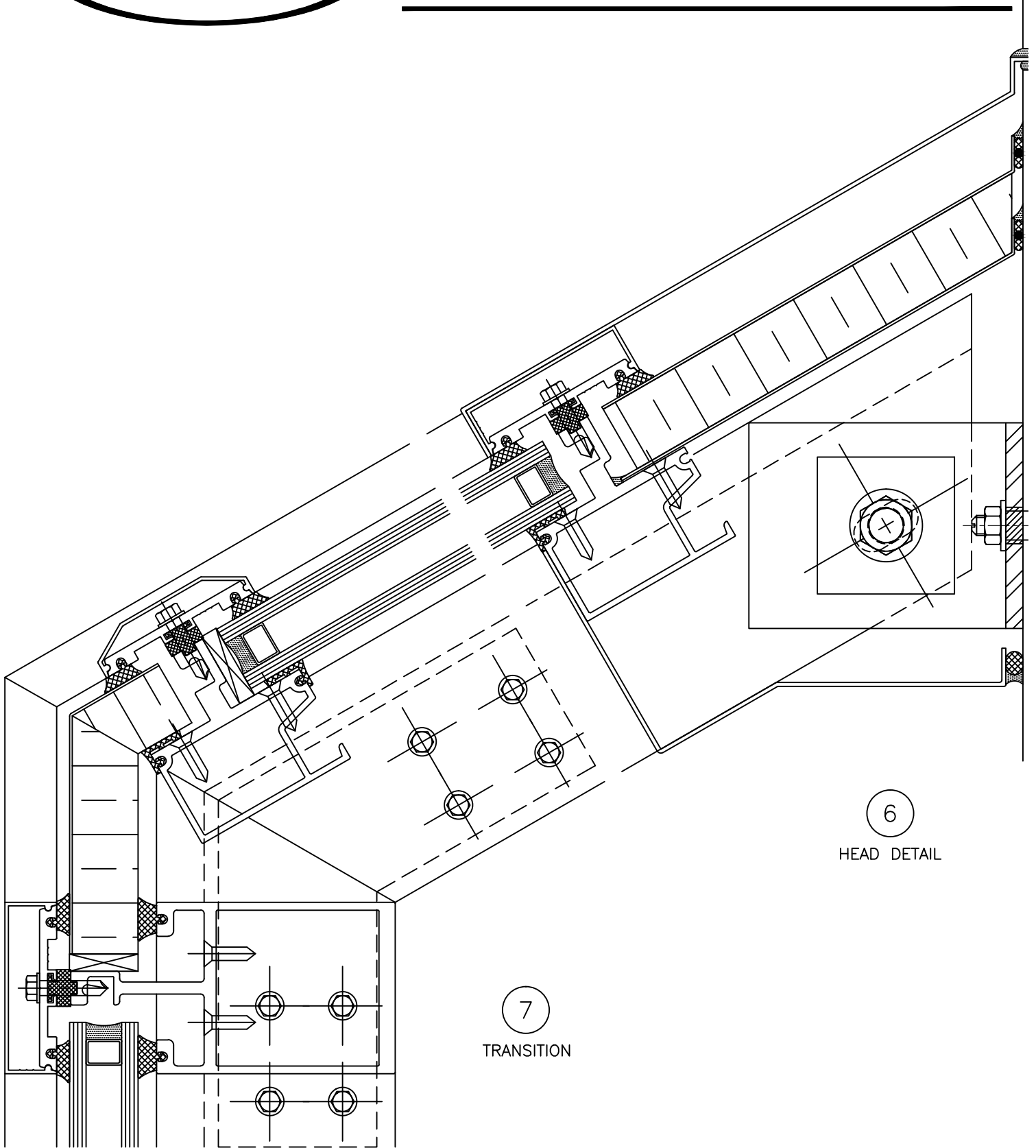
3
RAFTER



4
ENDWALL TRANSITION



5
HIP DETAIL

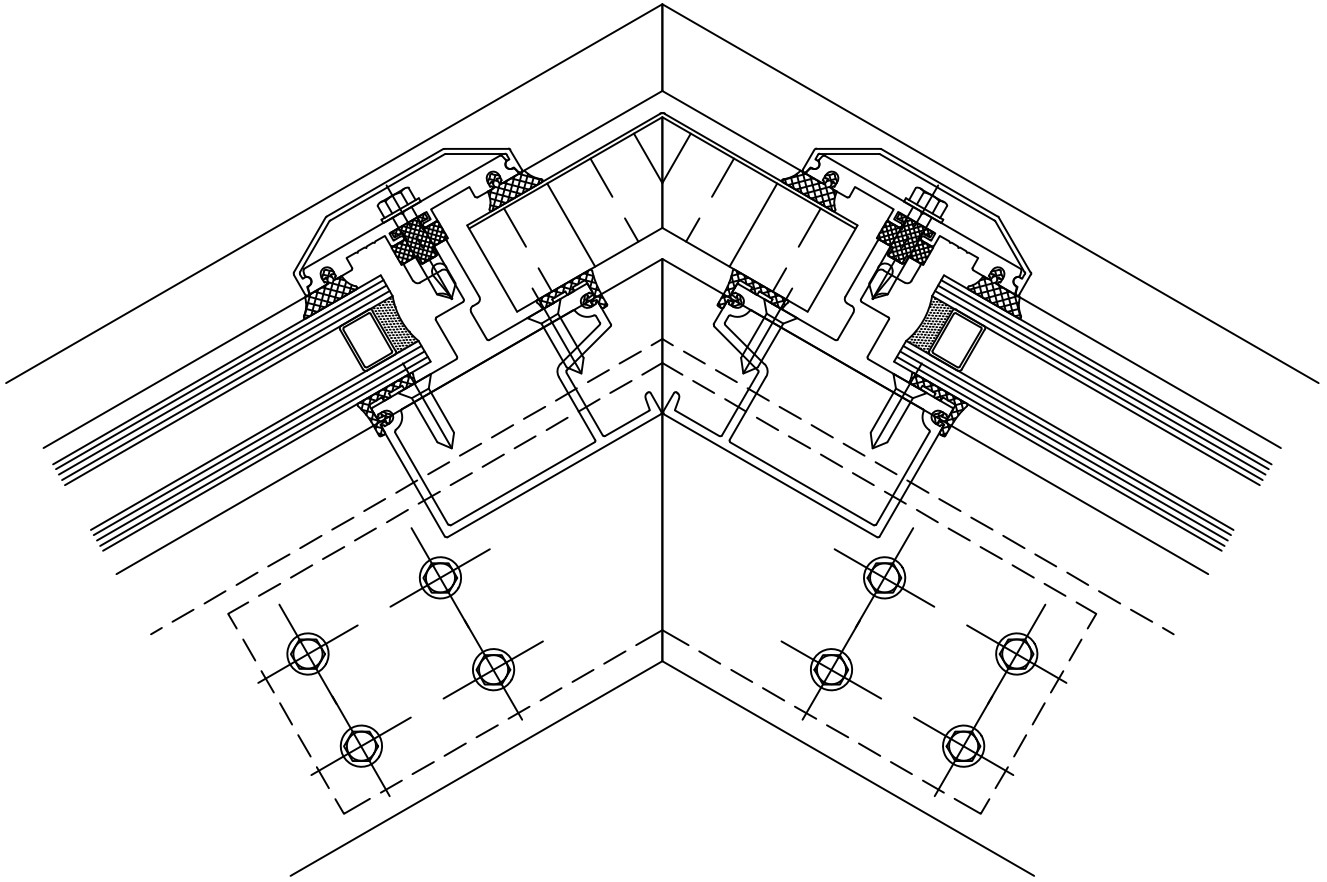


6

HEAD DETAIL

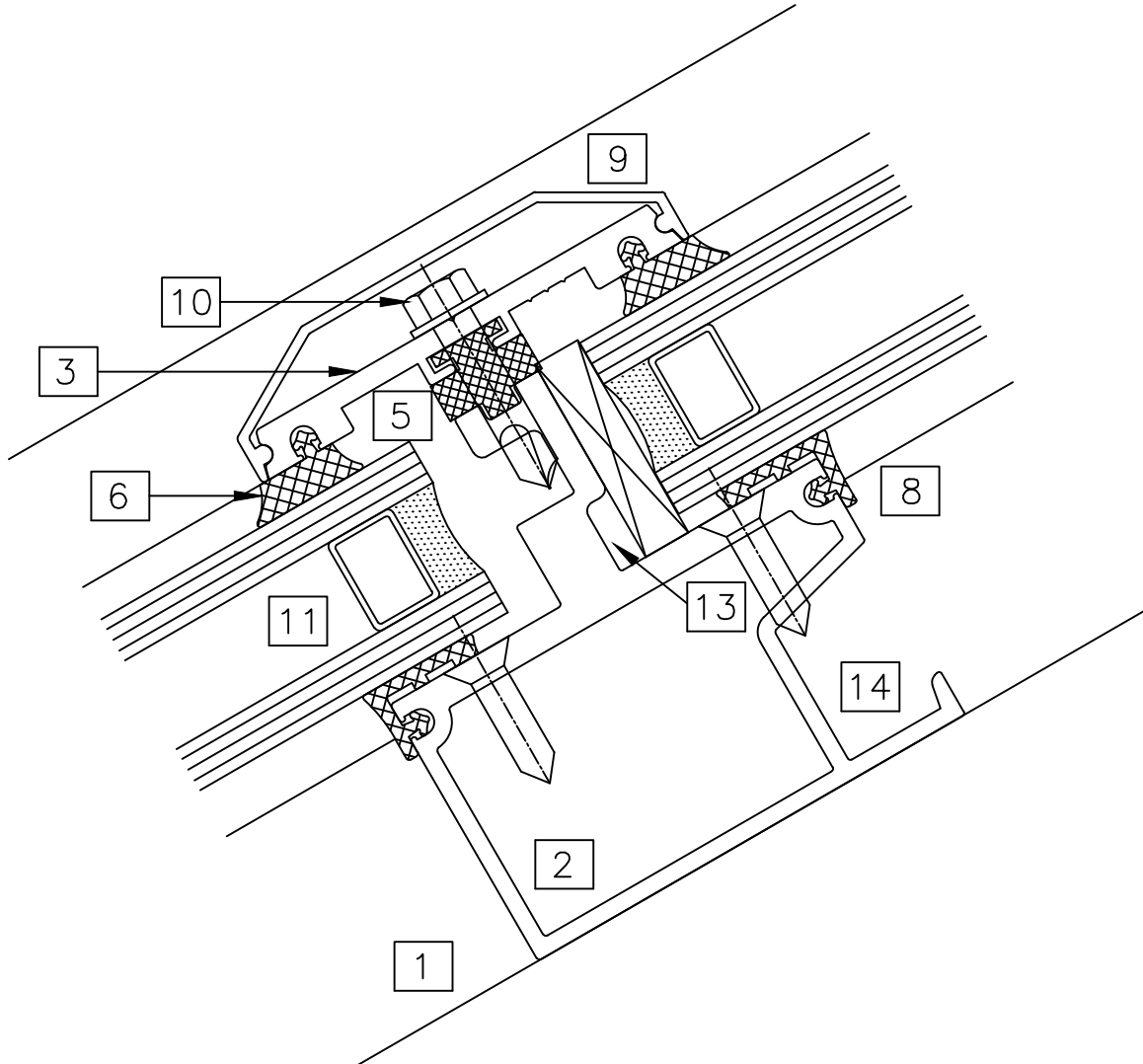
7

TRANSITION

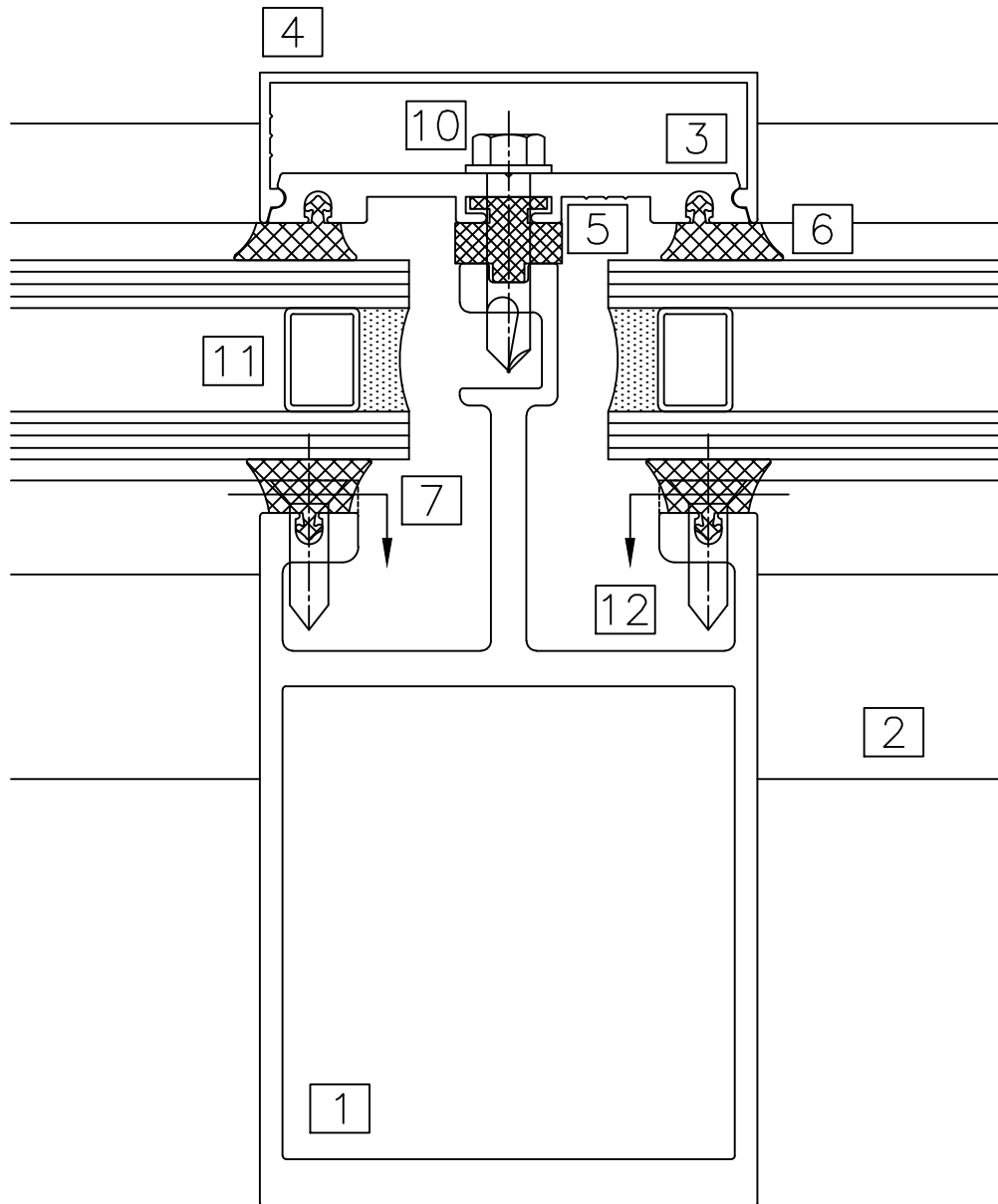


8

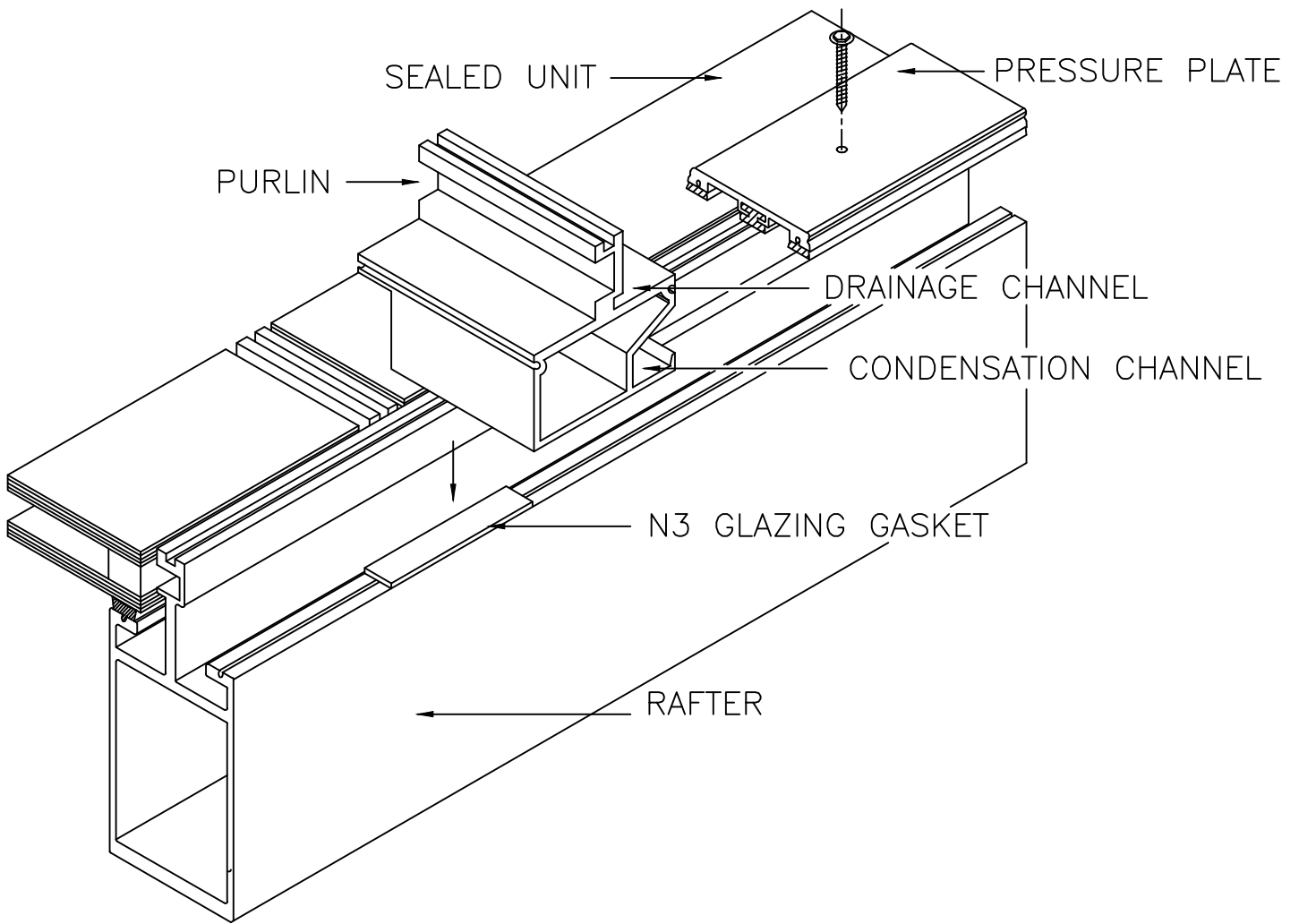
PEAK DETAIL



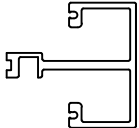
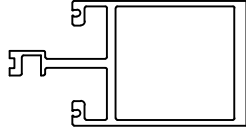
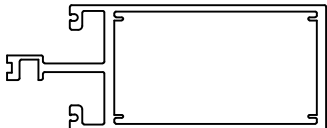
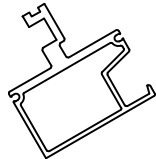

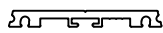
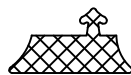
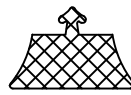
- | | | | |
|---|--|----|--|
| 1 | RAFTER BACK SECTION | 8 | RUBBER GASKET FOR PURLIN (PART C-1011) |
| 2 | PURLIN (PART 3611) | 9 | BEVELLED SNAP ON CAP (PART 3632) |
| 3 | PRESSURE PLATE (PART 3460) | 10 | PRESSURE PLATE SCREW |
| 4 | SNAP ON CAP (PART 3461) | 11 | 25mm (1") SEALED UNIT |
| 5 | PVC THERMAL BREAK (PART C-1015) | 12 | DRAINAGE CHANNEL (RAFTER) |
| 6 | EPDM GASKET (PART C-1009) | 13 | DRAINAGE CHANNEL (PURLIN) |
| 7 | RUBBER GASKET FOR RAFTER (PART C-1010) | 14 | CONDENSATION GUTTER |

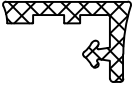
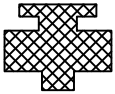
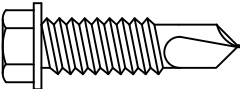
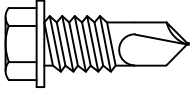
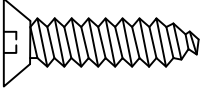
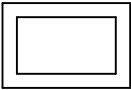


- | | | | |
|---|--|----|--|
| 1 | RAFTER BACK SECTION | 8 | RUBBER GASKET FOR PURLIN (PART C-1011) |
| 2 | PURLIN (PART 3611) | 9 | BEVELLED SNAP ON CAP (PART 3632) |
| 3 | PRESSURE PLATE (PART 3460) | 10 | PRESSURE PLATE SCREW |
| 4 | SNAP ON CAP (PART 3461) | 11 | 25mm (1") SEALED UNIT |
| 5 | PVC THERMAL BREAK (PART C-1015) | 12 | DRAINAGE CHANNEL (RAFTER) |
| 6 | EPDM GASKET (PART C-1009) | 13 | DRAINAGE CHANNEL (PURLIN) |
| 7 | RUBBER GASKET FOR RAFTER (PART C-1010) | 14 | CONDENSATION GUTTER |



RAFTER/PURLIN ISOMETRIC

PART	PART NO.	DESCRIPTION
	3601	64mm x 34mm vertical rafter (2 1/2" x 1 3/8")
	3602	64mm x 89mm vertical rafter (2 1/2" x 3 1/2")
	3603	64mm x 130mm vertical rafter (2 1/2" x 5 1/8")
	3611	64 mm x 38 mm purlin for double glazing (2 1/2" x 1 1/2")
	3632	Snap on bevelled cap for purlin
	3460	3600 series pressure plate
	C-1009	Pressure plate exterior 3600 series
	C-1010	Rafter interior - 3600 series

PART	PART NO.	
	C-1011	Interior gasket at purlin 3600 series
	C-1015	Thermal break, black PVC 1" 3600 series
	2523	#10 - 16 x 1" zinc plated Tek screw for pressure plate
	2521	#10 - 16 x 5/8" zinc plated P.S. Tek screw for shearblock - 4 to 6 per shearblock
	2332	#12 x 3/4" zinc plated screw for shearblock - 2 per shearblock
	3015	1 1/8" x 3/4" rigid PVC pocket filler